

systemtronic

datasheet CONEE S paper bin



General Description:

Conee S is the smallest model of the family of products Conee, where the aesthetics is conical irregular, composed by plant pots and paper bins produced in steel, and a leatherette pouf with casters that makes easier it's movement. It's disposition in different functionalities and finishes offers a wide range of possibilities.

Designer: Victor Carrasco

Technical Description:

Material:

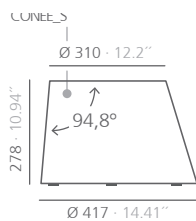
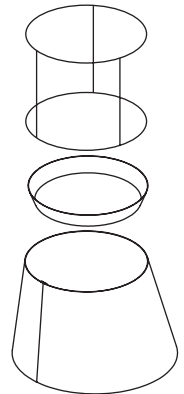
Frustraconical structure with the axis inclined composed by a bent plate of cold laminated steel of 1,5mm with process before being painted with polyester primer. Lateral inner closure from a reinforced joint rivet and a welded lower closure base skeleton of star shape supporting legs 3.

Dimensions:

CONEE_S: Ø380x Ø280x290 mm Ø14,96"x Ø11,02x11,41"

Conee S paper bin:

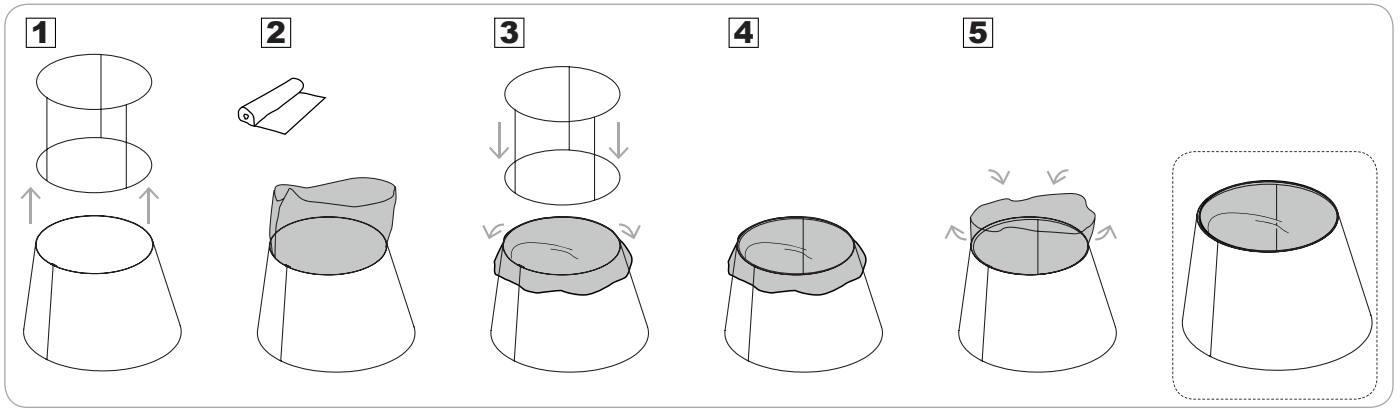
Includes a plastic plate for a better protection of spill responds and a inside a tubular structure Ø4mm made of galvanized rod that allows hold and hide the bag leaving the clean line.



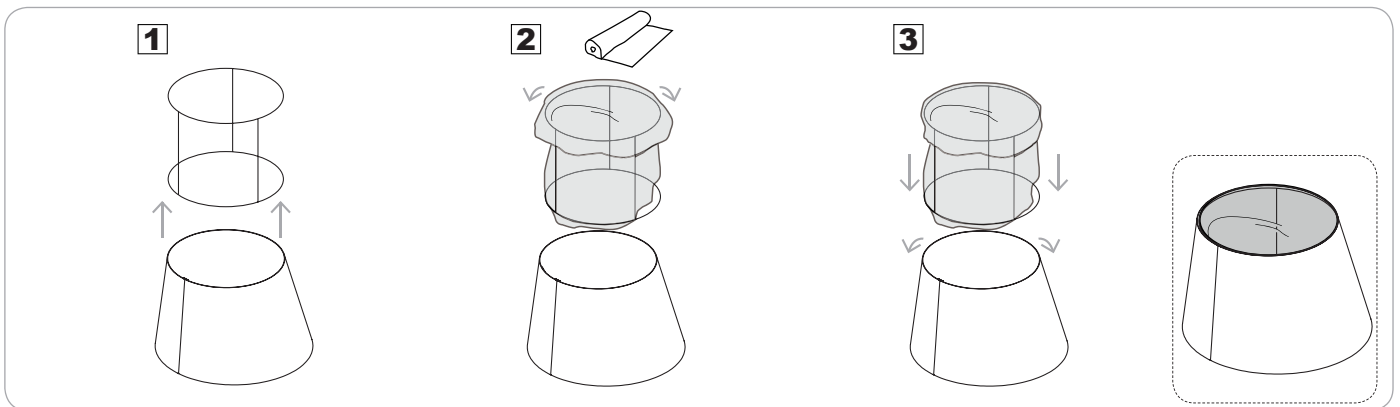
SI units: mm and inches.

Two ways of use:

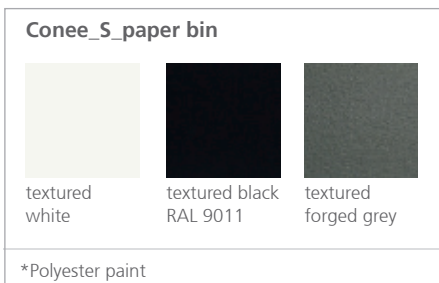
Option A:



Option B:



Finishes:



Consult for special dimensions or any other modification.