

# systemtronic

datasheet CREPE



General description:

This collection of plant pots includes three models. Made of folded aluminium sheet and painted in different finishes.

Designer: Victor Carrasco.



Technical description:

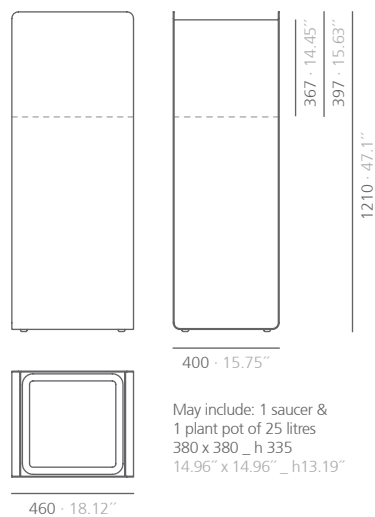
## Materials:

Structure: Folded aluminium sheet and painted in different finishes.  
Saucer and plant pot: polypropylene.

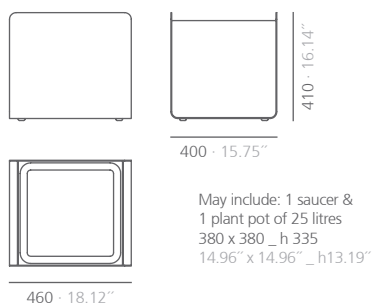
## Dimensions:

Crepe\_H: 400x460x1210 mm 15.75x18.12x47.1 "  
Crepe\_S: 400x460x410 mm 15.75x18.12x16.14 "  
Crepe\_L: 400x1234x410 mm 15.75x48.58x16.14 "

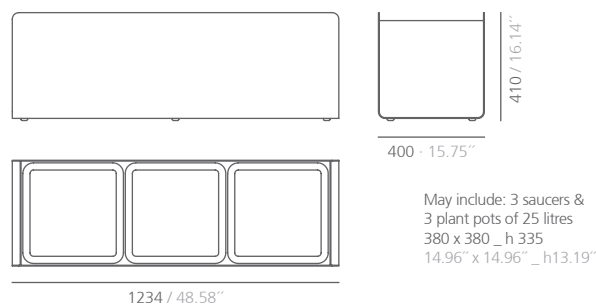
## CREPE\_H



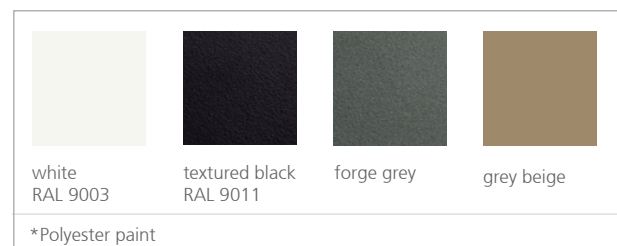
## CREPE\_S



## CREPE\_L



SI units: mm and inches

Finishes:

Consult for special dimensions or any other modification.