

systemtronic

datasheet FAYA



General description:

Discrete fire extinguisher support made of painted steel sheet. Its wheels allow its easy movement.

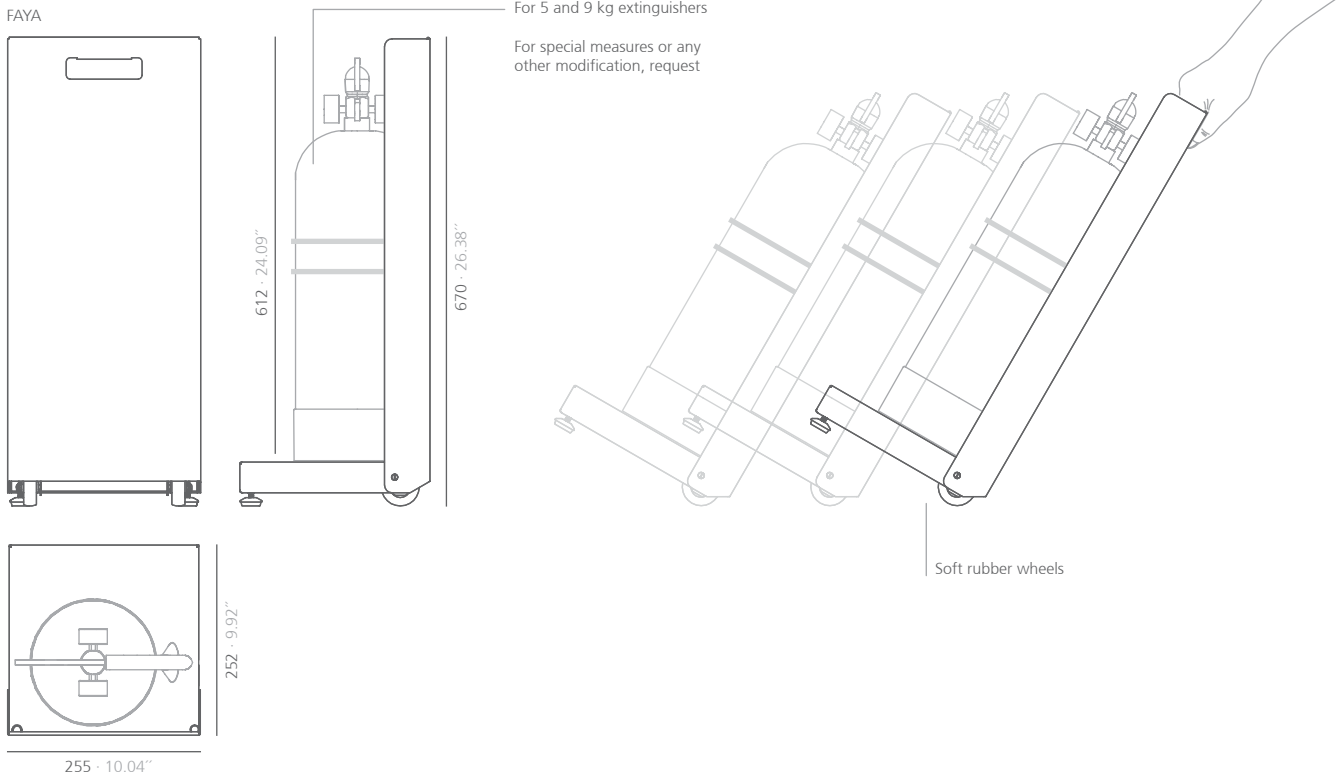
Designer: STC Studio.



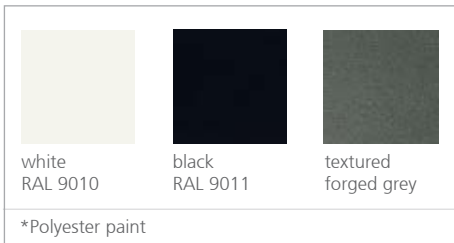
Technical description:

Material: Steel.

Dimensions: 255x252x670 mm 10.04x9.92x26.38 "



SI units: mm and inches.

Finishes:

Consult for special dimensions or any other modification.