

systemtronic

datasheet ZIN



General description:

Singular magazine rack, its structure allows the use of it as a side table in any living room or waiting area by adapting a transparent glass top. Made of light gray screen fabric and chrome plated or painted steel structure.

Designer: Fernando Gil.



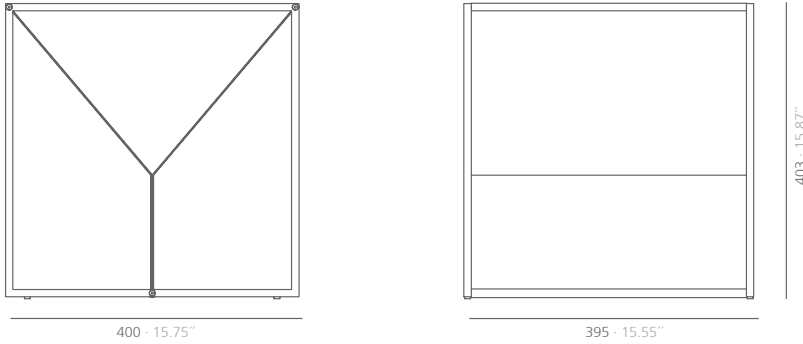
Technical description:

Materials:

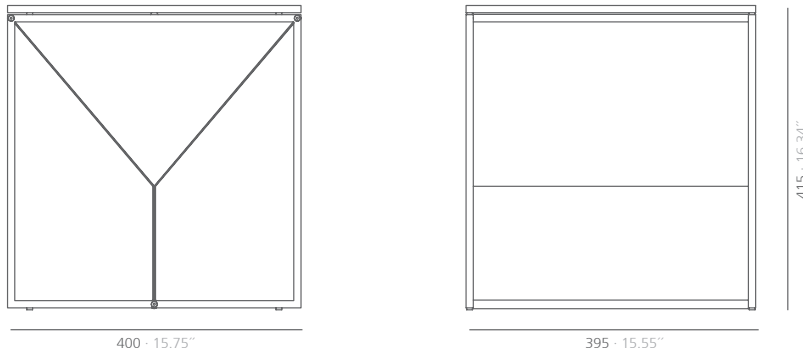
- Structure: Steel.
- Fabric: Screen.
- Glass: Tempered.

Dimensions: 400x395x403 mm 15.75x15.55x15.87 "

ZIN

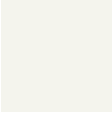
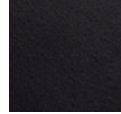





ZINCR
with glass top



SI units: mm and inches

Finishes:

<p>Structure</p>  <p>white RAL 9010</p>  <p>black RAL 9011</p>  <p>chromed</p> <p>*Polyester paint</p>			<p>Screen fabric</p>  <p>light grey</p>	<p>Glass</p>  <p>tempered glass</p>
--	--	--	---	---

Consult for special dimensions or any other modification.