

# MAMBA (Designer Victor Vasilev)

**NEW**

Interior  
innovation  
award  
2013  
Winner



Shelf / hanging writing desk. The wavy shape and the tapered thickness add a strong visual impact to the product's design and image. The shelf is made of matt white Cristalplant®, a composite material made up of natural minerals, acrylic material and polymer polyesters.

### Dims

Height 93 cm, shelf depth 40 cm, length 135 cm.

### Led

The product is also provided with a white HD LED and plug converter.

The LED can be turned on and its brightness adjusted by touching the touch-sensitive "Touch" switch.

The system is made up of a strip of white HD LEDs (length 38 cm) - 4.8W - 24Vdc, CE compliant, and a plug converter - SP 8D 100-240/24Vdc, CE-compliant.

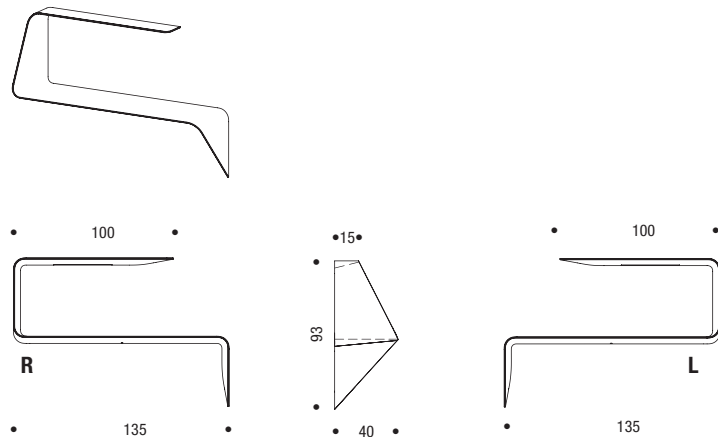
### note

\*Cristalplant® is a unique highly-advanced composite material made up of a high percentage of natural minerals (ATH derived from bauxite) and a small percentage of extremely pure polyester and acrylic polymers; thus it is an inert hypoallergenic and non-toxic material.

Cristalplant® is a 100% made-in-Italy solid surface.

Cristalplant® is 100% recyclable, fireproof (class 1), with a high UV resistance; it is compact and non-porous, hygienic and with a soft texture thanks to its velvet finish similar to natural stone.

Cristalplant® is 100% restorable, ie it can be brought back to its original condition simply with a detergent and an abrasive sponge (also cigarette burns can be removed). Its characteristics of durability and restorability make it eco-compatible.



### Wiring diagram Mamba with LED

