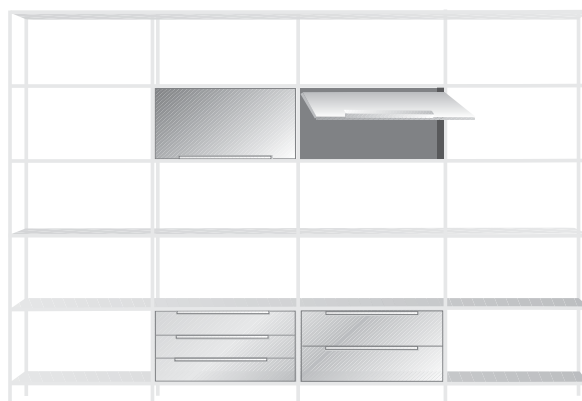


# MINIMA 29-40-hanging

(Designer Bruno Fattorini)

XVIII Compasso d'Oro ADI  
special mention



A modular structure in natural anodized aluminium.

Close compartments can be created with drawers, doors, sides and backs.

Panels are always removable and can be positioned in every module of the structure, simply by moving the screws, allowing the user to change the configuration of the storage space as desired.

The possibility of using the units both back and front makes this design suitable as a room divider in both home and working environments.

The end and intermediate uprights have pre-assembled pins and fittings.

## Selection and sizes

The range is available in 2 depths: 29 and 40 cm. Lengths 34.3 and 70 cm.

Minima 29 is available in two heights: 194 and 230.5 cm.

With the Minima 29 wall-mounted version, customers can choose various heights: 38, 74.5, 111 and 147.5 cm. Bridge solutions are available, if required and a variety of multi-height structures can be made as a single unit. Minima 40 cm comes in six heights: 48, 84.5, 121, 157.5, 194 and 230.5 cm.

In the floor-standing version the first shelf is 11.5 cm from floor level. Inner height of compartments is 35 cm.

## Structure

Made from extruded anodized aluminium, section 15 x 15 mm. A special assembly system (pins plus a shelf-anchoring device), endows the structure with a high load-bearing capacity and excellent stability.

The shelves are composed of 2 mm thick sheets of anodized aluminium, in two usable lengths (34.3 and 70 cm), with a depth of 29 or 40 cm, and are made to slide directly into grooves in the cross bars.

For the Minima 40 special intermediate uprights (height: 84.5, 121, 157.5, 194 and 230 cm) can be requested. They allow to make compositions of different heights one next to the other (composition arranged in ascending order).

Adjustable feet.

In Minima 29 a steel bookend element may also be fitted directly onto the cross bars of the frames.

## Sides and backs

These may be filled with 12 mm thick panels made by combining anodized aluminium sheets with recyclable, sound-absorbing extruded plastic material.

The panels have special stepped-shaped edges made in the same plastic filler material, which function as a light-proof and dust-proof seal.

The panels are always easy to assemble and remove thanks to a slide-in and lock arrangement using centering pins and invisible steel balls.

The sides of the panels may be modified to obtain open compartments or modules closed with drawers or doors. Dividing panels may be variously equipped, for example, to hold drawers on one side and an open compartment on the other, etc...

## Doors

The retractable drop-front doors, with a compass hinge, are available in:

- ultra-light, high-tech, recyclable anodized aluminium panelling;

- 4 mm thick tempered clear or "sanded" glass.

Handles in extruded anodized aluminium.

## Drawers

Drawers with special aluminium front panels have bodies made entirely in anodized aluminium with totally extractable guides. With Minima 29, the drawer sides are made of aluminium-lacquered steel. The drawers come in sets of two or three per compartment. In the 40 cm deep version, a filing drawer is available.

A CD rack may be fitted in the two-drawer set by replacing one or both of the standard drawers with one with an equipped bottom.

Handles in extruded anodized aluminium.

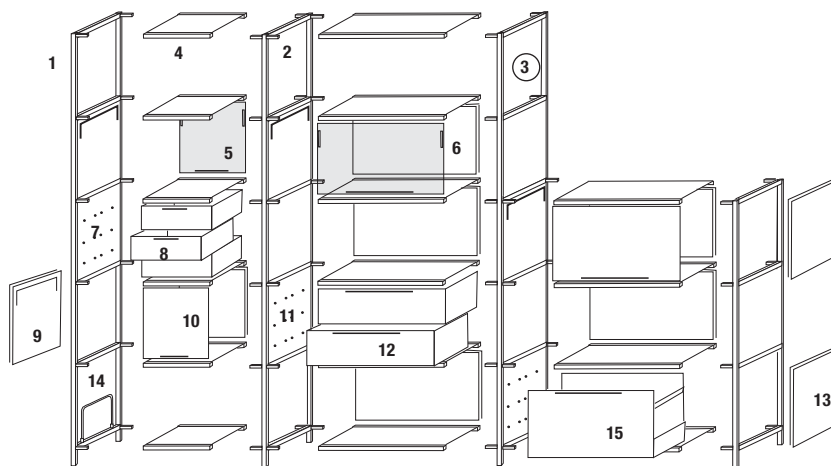
## Notes for assembly

- To calculate the overall length of the unit, the thickness (1.5 cm) of each upright must be added to the length of each single compartment (34.3, 70 cm).
- For a proper use, we suggest to position the drawers in its lower part or instead, to fix the unit to the wall.
- The hanging structure can be closed with backs and sides and then equipped with doors and drawers.

# MINIMA 29-40-hanging units for composition

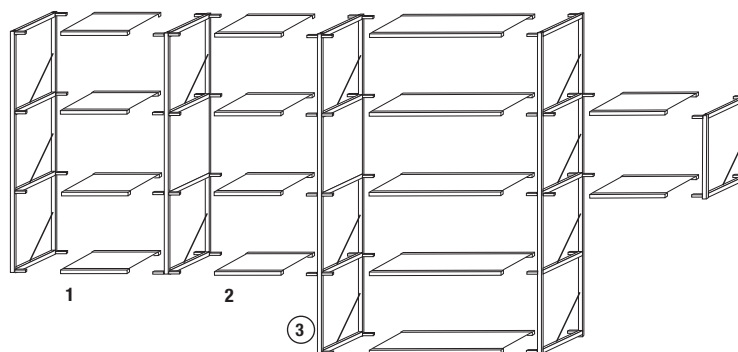
## MINIMA DEPTH 29 AND 40

- 1 ground end frame**  
D 40: H 48-84,5-121-157,5-194-230,5  
D 29: H 194-230,5
- 2 intermediate frame**  
D 40: H 48-84,5-121-157,5-194-230,5  
D 29: H 194-230,5
- 3 intermediate special frame**  
D 40: H 84,5-121-157,5-194-230,5
- 4 shelf 34.3-70**  
D 29-40
- 5 glass door 34.3-70**  
mounted for opening on the back
- 6 back**  
L 70-34,3
- 7 side panel open/drawers**
- 8 three-drawer unit**  
L 34.3-70
- 9 side panel open/door**
- 10 aluminium door**  
L 34.3-70
- 11 side panel door/drawers**
- 12 two-drawer unit**  
L 34.3-70
- 13 side panel open/drawer**
- 14 book-end for Minima 29**
- 15 files holder**  
D 40 L 34.3-70



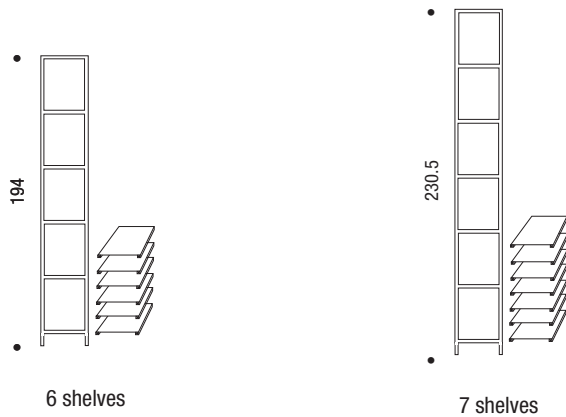
## MINIMA DEPTH 29 HANGING

- 1 end frame**  
H 38-74,5-111-147,5
- 2 intermediate frame**  
H 38-74,5-111-147,5
- 3 intermediate special frame**  
H 74,5-111-147,5

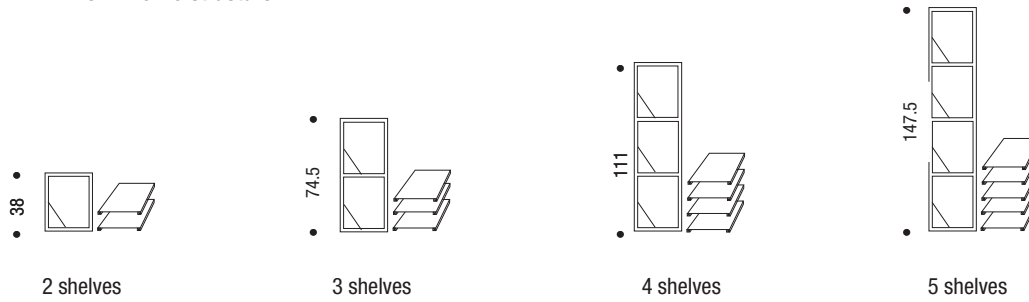


# MINIMA 29-hanging units for composition

## MINIMA 29 FREE-STANDING structure

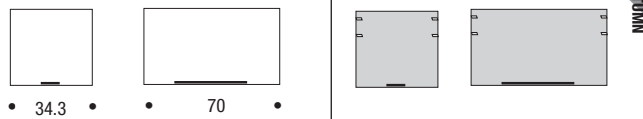


## MINIMA 29 HANGING structure

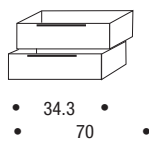


## MINIMA 29 FREE-STANDING/HANGING components

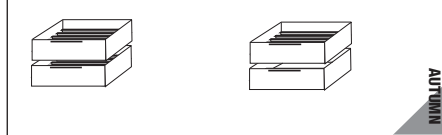
### doors



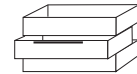
### drawers H 17.1 standard



### with CDs rack 1 standard+1 with CDs rack

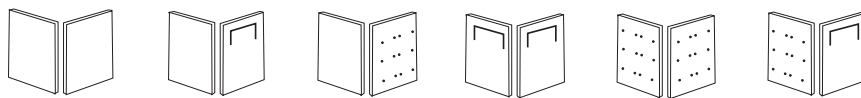


### drawers H 11.3



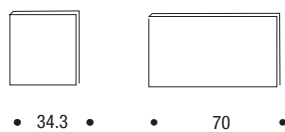
### side panels

open/open    open/door    open/drawers    door/door    drawers/drawers    door/drawers



The diagram shows both sides of the panel, which may be fitted on either side of the compartment – to open right or left.

### backs

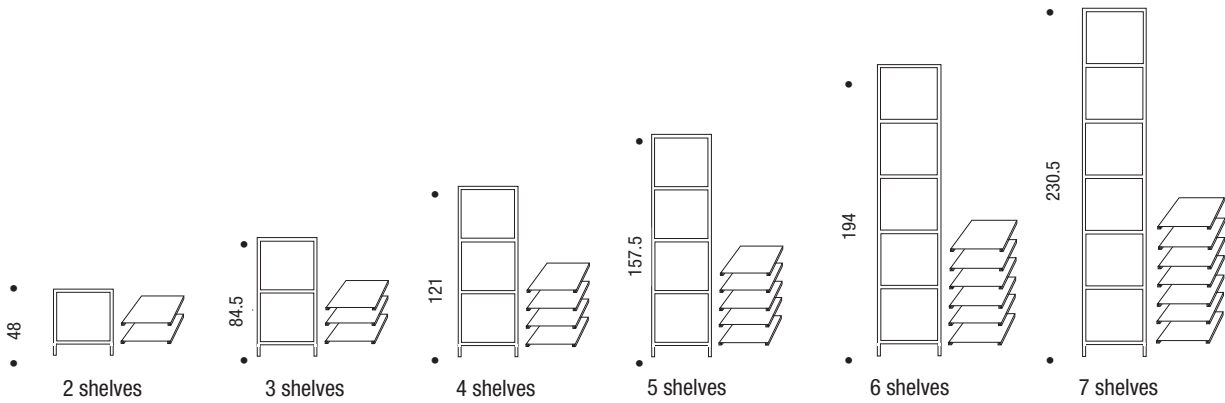


### bookends



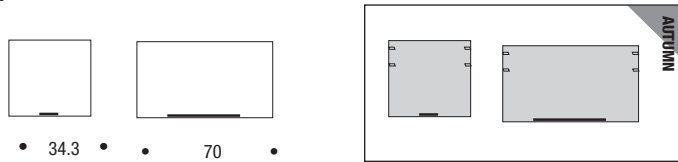
# MINIMA 40 units for composition

## MINIMA 40 structure

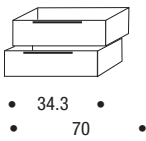


## MINIMA 40 components

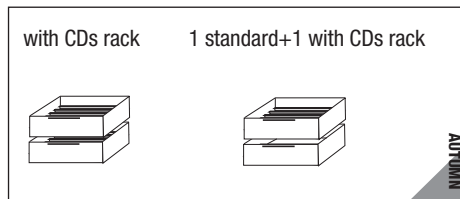
### doors



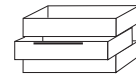
### drawers H 17.1 standard



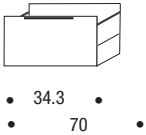
### with CDs rack 1 standard+1 with CDs rack



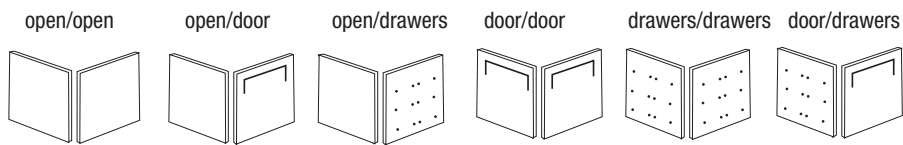
### drawers H 11.3



### files holder H 34.5

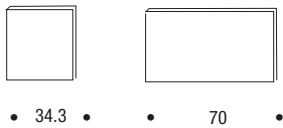


### side panels



The diagram shows both sides of the panel, which may be fitted on either side of the compartment – to open right or left.

### backs



### castors H 48 and H 84.5

