

Molteni & C

RIBBON— VINCENT VAN DUYSSEN 2015

1—
3



Ribbon is a fabulously soft textile bed with a young, modern design, using natural materials. The textile or leather upholstery hooks up to a ribbon, with leather details, that runs all the way round the headboard and bed and serves both a structural and an aesthetic purpose. The tall and softly padded headboard makes it a highly contemporary product.

DATASHEET

REGISTERED
DESIGN

IX.2015

molteni.it

Dimensions in millimeters and inches. The right to discontinue and make changes is reserved. This information is based on the latest product information available at the time of printing.

FINISHES

COVERS

Fabric and leather covers are difficult to remove.

FINISH OF HEADBOARD AND BED SURROUND EDGE

With fabric cover the finish of edge is made in leather cat. L extra.

With leather cover the finish of edge can be monochromatic (same typologie/leather colour) or in leather cat. L extra.

Available in fire-resistant version (TB117 and BS5852).

Molteni & C

TECHNICAL INFORMATION

HEADBOARD

Structure in veneer with foam rubber padding in varying densities. Velour cover.

BED SURROUND

Structure in solid and multi-layer wood with moulded polyurethane padding and velour cover.

BASES (FOR BED-BASE STORAGE CONTAINER)

Melamine finished chipboard panelling with positioning handles.

FEET

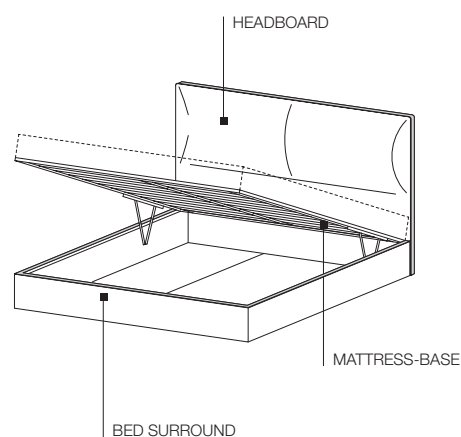
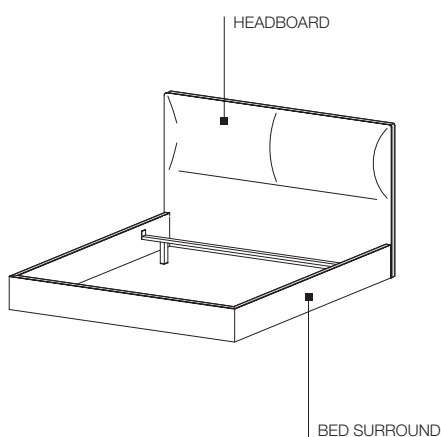
Anodised aluminium with floor slides in non-slip plastic.

REMOVABLE OUTER COVERS

(See attached card, specific for each cover).

MATTRESS-BASE SPACER (VERSION WITH FIXED MATTRESS BASE)

Plastic.

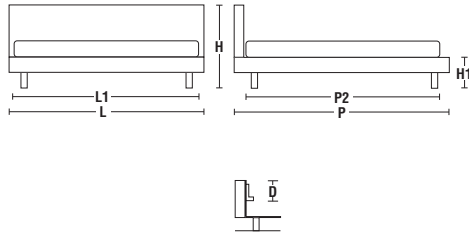


DATASHEET

REGISTERED
DESIGN

IX.2015

DIMENSIONS



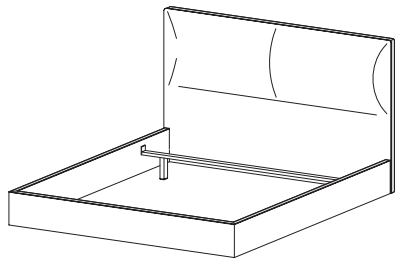
OUTER DIMENSIONS			INNER DIMENSIONS		
L	P	H	L1	P2	D
Width	Length	Height	Width	Length	Space for insertion of the slatted base
1700 66 7/8"	2110 83 1/8" standard model	1100 43 1/4"	1600 63"	2000 78 3/4" standard model	90 3 1/2"
1800 70 7/8"	2210 87" on request	H1 Bed base height	1700 66 7/8"	2100 82 3/4" on request	
1900 74 3/4"	2160 85" for KS	285 11 1/4"	KS1950 76 3/4"	2050 80 3/4" for KS	
KS2050 80 3/4"			2000 78 3/4"		
2100 82 3/4"					

Depth of 2100 mm (82 3/4") (inner measurement) is also available on RLE16 - RLE17 - RLE18 - RLE20.

Molteni & C

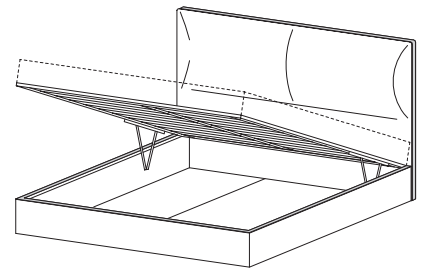
3—
3

bed taking a single slatted base or 2 individual slatted bases



RLE16 RLE17 RLE18 RLEKS RLE20

double bed with tilting slatted base and container under the slatted base



RLE16C RLE17C RLE18C

DATASHEET

REGISTERED
DESIGN

IX.2015

molteni.it

Dimensions in millimeters and inches. The right to discontinue and make changes is reserved. This information is based on the latest product information available at the time of printing.