

## TEA TIME — ARIK LEVY 2010

1—  
4



Arik Levy designed Tea Time, a modular sofa system where dynamism and rationality are the distinctive elements. Tea Time does not impose defined, preconstructed volumes. It “reads” the room dynamically, expressing itself fully through the realm of modular possibilities. Die-cast aluminium feet shiny or black chrome with floor caps in non-slip plastic material. Different sized seats arranged together produce free compositions or completed sofas.

**DATASHEET**

REGISTERED  
DESIGN

I.2015

**molteni.it**

Dimensions in millimeters and inches. The right to discontinue and make changes is reserved. This information is based on the latest product information available at the time of printing.

## FINISHES

### COVERS

fabric - leather, completely removable.

Available in fire-resistant version (TB117 and BS5852).

### FEET FINISHES

shiny chrome - black chrome

# Molteni & C

## TECHNICAL INFORMATION

### STRUCTURE INTERIOR

Frame made of solid fir (Picea abies) and chipboard, with elastic straps.

### STRUCTURE PADDING

High capacity variable density foam polyurethane. Light velvet cover.

### SEAT CUSHIONS

Insert in shaped polyurethane and sterilised feathers. 100% cotton cover.

### ADDITIONAL CUSHIONS

100% polyester fibre. 100% cotton cover.

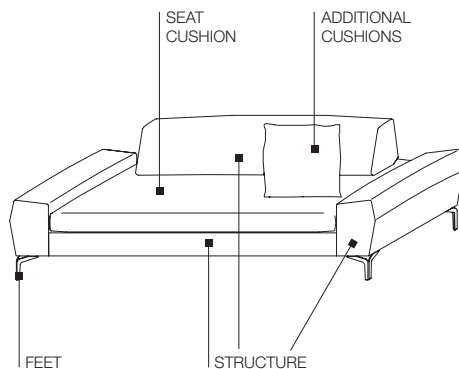
### FEET

Chrome plated pressure diecast aluminium with floor slides in non-slip plastic material.

### REMOVABLE OUTER COVERS

(See attached card, specific for each cover).

2—  
4



## DATASHEET

REGISTERED  
DESIGN

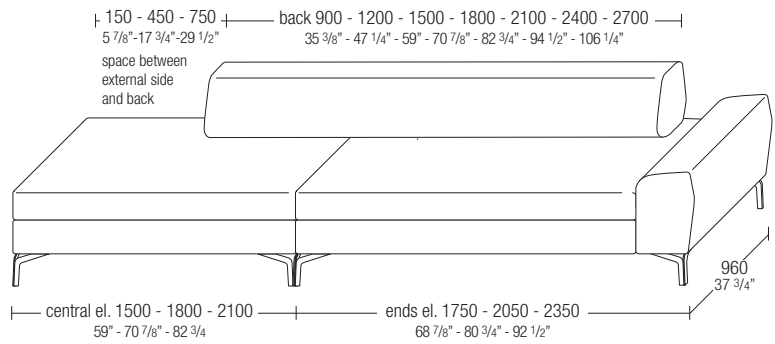
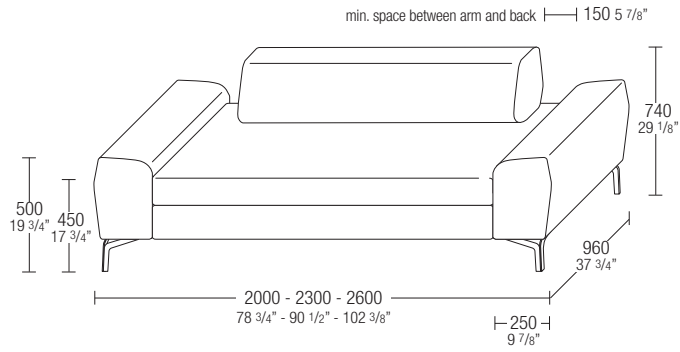
I.2015

**molteni.it**

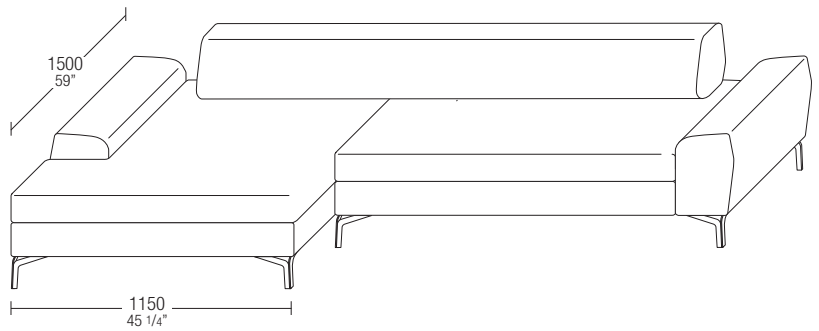
Dimensions in millimeters and inches. The right to discontinue and make changes is reserved. This information is based on the latest product information available at the time of printing.

**DIMENSIONS**

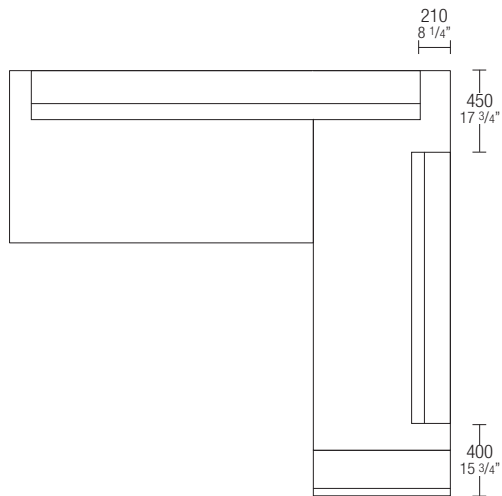
**Sofas**



**Chaise longue**



**Ends**



Molteni & C

3  
4

**DATASHEET**

REGISTERED  
DESIGN

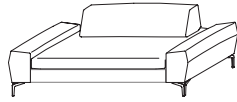
I.2015

**molteni.it**

Dimensions in millimeters and inches. The right to discontinue and make changes is reserved. This information is based on the latest product information available at the time of printing.

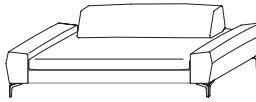
**DIMENSIONS**

**sofa**  
W 2000 D 960 H 740  
W 78 3/4" D 37 3/4" H 29 1/8"  
back W 1200 - 47 1/4"



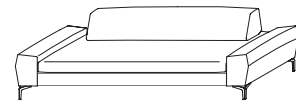
**D200**

**sofa**  
W 2300 D 960 H 740  
W 90 1/2" D 37 3/4" H 29 1/8"  
back W 1500 - 59"



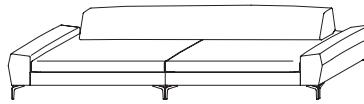
**D230**

**sofa**  
W 2600 D 960 H 740  
W 102 3/8" D 37 3/4" H 29 1/8"  
back W 1800 - 70 7/8"



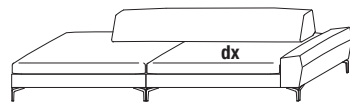
**D260**

**sofa**  
W 3500 D 960 H 740  
W 137 3/4" D 37 3/4" H 29 1/8"  
back W 2700 - 106 1/4"



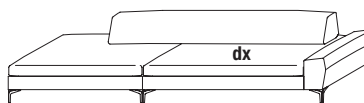
**D1**

**island element**  
W 3250 D 960 H 740  
W 128" D 37 3/4" H 29 1/8"  
single back W 2100 - 82 3/4"



**IS2 dx-sx**

**island element**  
W 3550 D 960 H 740  
W 139 3/4" D 37 3/4" H 29 1/8"  
single back W 2400 - 94 1/2"



**IS3 dx-sx**

**additional cushion**  
W 500 H 500  
W 19 3/4" H 19 3/4"



**CT50**

**additional cushion**  
W 500 H 400  
W 19 3/4" H 15 3/4"



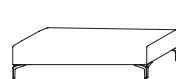
**CT40**

**pouf**  
W 1200 D 1200 H 380  
W 47 1/4" D 47 1/4" H 15"



**PF120**

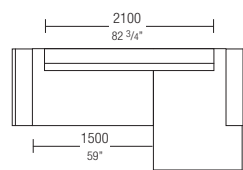
**pouf**  
W 1500 D 600 H 380  
W 59" D 23 5/8" H 15"



**PF150**

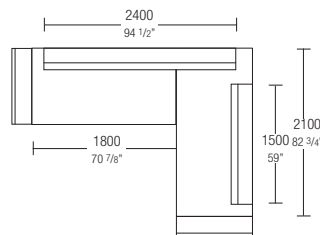
**SAMPLE COMPOSITIONS**

**composition**  
W 2900 D 1500 W 114 1/8" D 59"



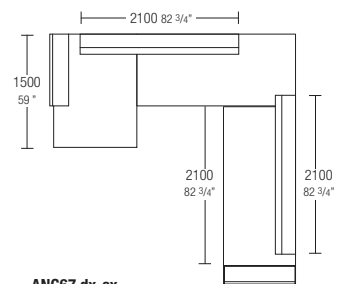
**LB7 dx-sx**

**composition**  
W 3010 D 2350 W 118 1/2" D 92 1/2"



**TBB45 dx-sx**

**composition**  
W 3250 D 1500/3310 W 128" D 59"/130 3/8"



**ANG67 dx-sx**

**Molteni & C**

4—  
4