

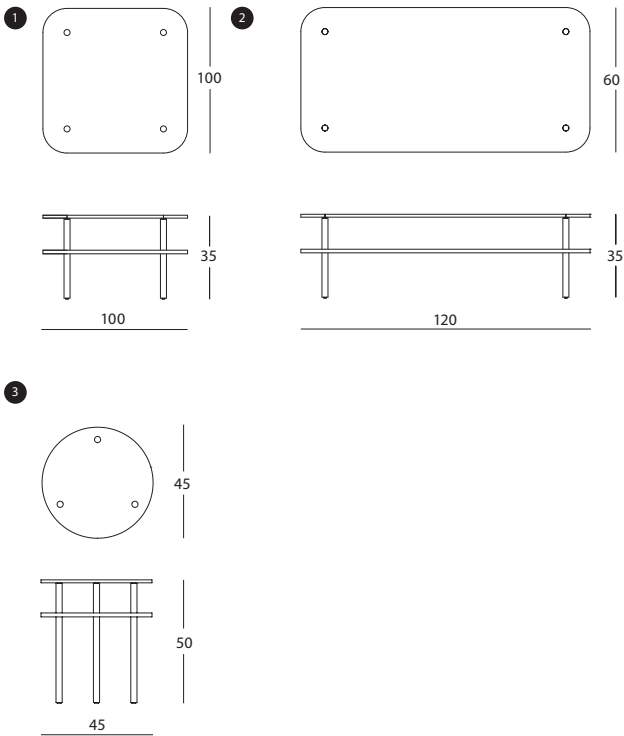


## Unsion Terence Woodgate

An update of the classic Sax table. This balanced design blends materials, featuring two shelves, the lower one in veneered ash or walnut and the upper one in 12mm toughened glass. The construction of the table is remarkably simple, the legs are screwed together through the lower shelf and the glass shelf is placed on top, held in place by rubber pads. Available as a rectangular or square coffee table or round side table.

Made in the EU.





---

# Unison

## Terence Woodgate

- 1 Square coffee table
- 2 Rectangular coffee table
- 3 Round side table