

# WOOPY

Design by Karim Rashid 2011



Sgabello | Stool | Schemel | Tabouret | Taburete

## Materiale | Material | Material | Matériau | Material:

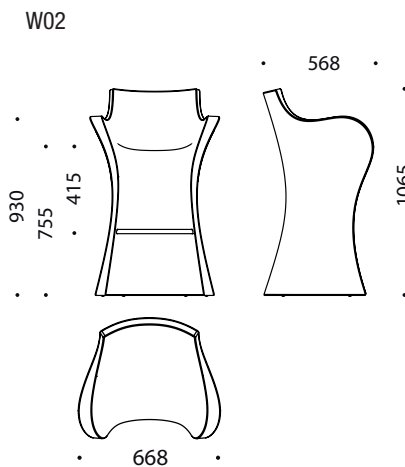
Polietilene (PE) stampato in rotazionale.  
Poggiapiedi: acciaio cromato.

Rotomoulded polyethylene (PE).  
Footrest: chromium-plated.

Polyethylen (PE), hergestellt im Rotomoulding-Verfahren.  
Fußstütze: verchromter Stahl.

Polyéthylène (PE) moulé par rotomoulage.  
Repose-pieds: acier chromé.

Polietileno (PE) moldeado en rotomoulding.  
Apoyapies: acero cromado.



100%

2 anni  
years  
garanzia  
guarantee

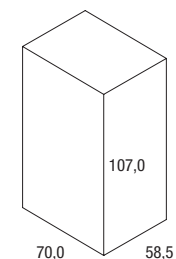


## Pesi | Weights | Gewicht | Poids | Pesos

Peso netto   Net weight   Nettogewicht   Poids net   Peso neto	8,70
Peso lordo   Gross weight   Bruttogewicht   Poids brut   Peso bruto	12,20

## Dimensioni Measures Abmessungen Dimensions Dimensiones

L	W	B	L	A	70,0
P	D	T	P	P	58,5
H	H	H	H	H	107,0



Kg 100

m³ 0,44

## Colori | Colours | Farben | Couleurs | Colores

Bianco   White   Weiß   Blanc   Blanco	
Grigio Basalto   Basalt Grey   Basaltgrau   Gris Basalte   Gris Basalto	
Rosso   Red   Rot   Rouge   Rojo	
Rosso Corallo   Coral red   Korallenrot   Rouge corail   Rojo coral	
Verde Pastello   Pastel Green   Pastellgrün   Vert Pastel   Verde Pastel	
Azzurro Topazio   Topaz Blue   Topazblau   Bleu Topaze   Azul Topacio	
Viola Ametista   Amethyst purple   Amethyst-Lila   Violet améthyste   Violeta ametista	