



A plywood oak chair with the finishes in our collection and/or with a cushion upholstered in fabric or leather. Perfect for home and contract use, stackable up to 10 chairs. Its name is a reference to the slot in its back, which serves both as a handle for moving it about easily and as a support on which to hang handbags and the like.

TECHNICAL INFORMATION

Plywood natural oak chair stained or lacquered with the finishes of our collection or covered with shape-holding polyurethane foam. Different options for the structure:

FOUR LEGS

Calibrated steel structure lacquered in thermosetting polyester in black or white. Stackable up 10 units.

CASTERS BASE

Aluminum swivel base lacquered in white or black, height adjustment system and soft casters.

SWIVEL STOOL

Calibrated steel structure lacquered in thermosetting polyester in black or white and footrest in stainless steel.

The four legs base is stackable up 10 units.

Available trolley.

The other models are not stackable.

FINISHES

SEAT

Lacquers



white  
RAL 9003



black  
RAL 9005



sand  
NCS 3005Y50R



tobacco  
RAL 8028



smoke grey  
NCS 4005Y20R



silver  
RAL 9006



red  
RAL 3001



mustard  
RAL 1012



green  
RAL 6007



blue  
RAL 5024

Stain



natural oak



wengue



cognac



ash

STRUCTURE



white  
RAL 9003



black  
RAL 9005

CERTIFICATES

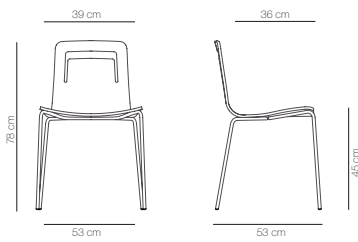


KLIP design Victor Carrasco 2014

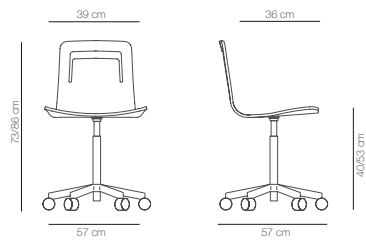


STAINED / LACQUERED FINISH

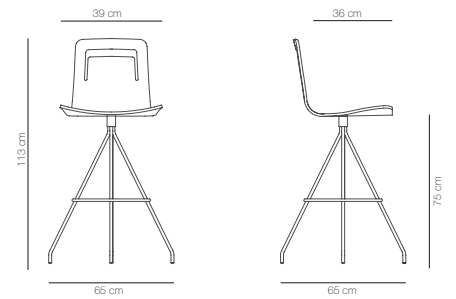
4 legs



Casters base

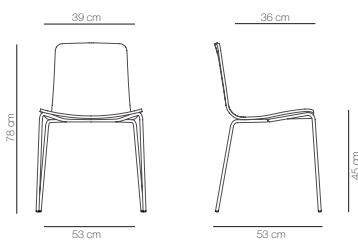


Stool

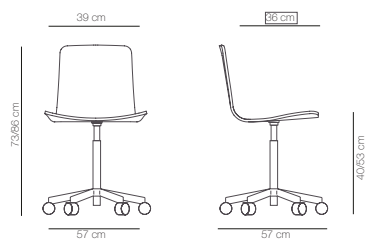


UPHOLSTERED

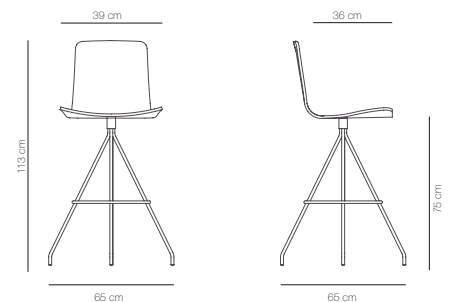
4 legs



Casters base

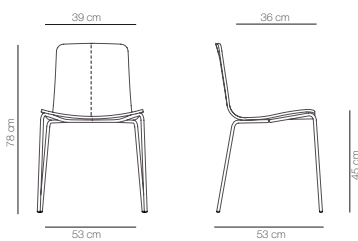


Stool

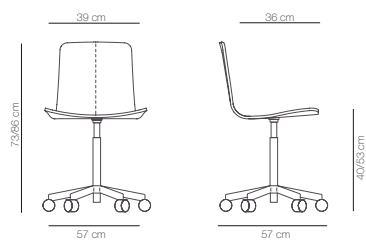


UPHOLSTERED SEAM DETAIL

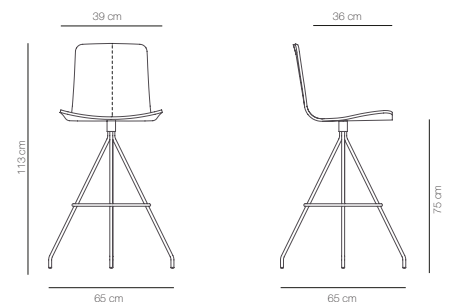
4 legs



Casters base



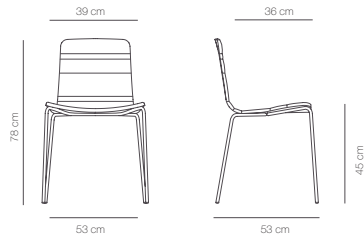
Stool



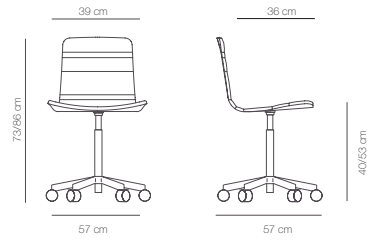
KLIP design Victor Carrasco 2014

STRIPE UPHOLSTERED

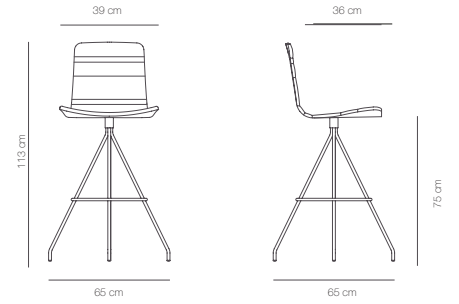
4 legs



Casters base

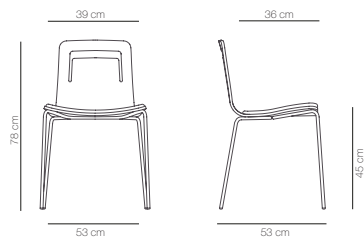


Stool

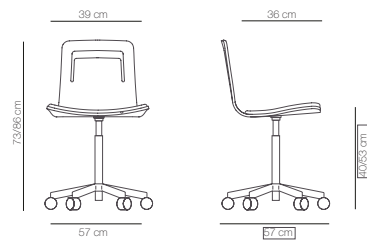


STAINED / LACQUERED FINISH WITH UPHOLSTERED SEAT

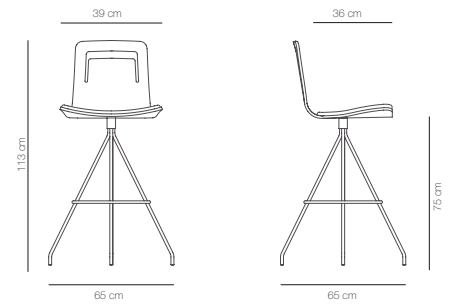
4 legs



Casters base



Stool



VICTOR CARRASCO Spain



Born in Valencia (Spain) in 1974, Victor Carrasco began his professional career after graduating Cum Laude in Industrial Design Engineering at the Polytechnic University of Valencia.

Shying away from trends and fads, he has developed and positioned international brands with remarkable added value, thanks to his passion for synthesis, sustainable growth and his pragmatic vision of the future.

Since 2007, he has been combining his position as strategic director of Viccarbe with that of Design Director for the prestigious American multinational Coalesse (Steelcase Inc.). Likewise, as an industrial designer, he has collaborated with numerous international companies such as Boffi, Glas Italia, Gandia Blasco, LZF, Vibia and Vaalva, among others.

He was the recipient of the Prince Felipe Award for Business Excellence in 2008.

PRODUCTS



MAARTEN chair



RYUTARO table



FEDELE collection



SERRA table



MAARTEN table



KLIP chair